



USER MANUAL

CAR HOLDER WITH WIRELESS QI CHARGING

ENGLISH



MA04

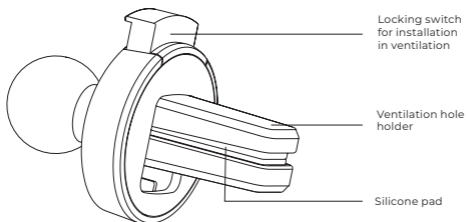
INSTRUCTIONS

- 1.** Assemble the product and any accessory through a ball head nut and tighten it (compatible with other ball head diameter 17mm accessories), and fix it in an ideal position. Connect the product to the QC3.0 car charger (optional) with the data cable, and insert to the cigarette lighter to get electricity.
- 2.** After the product is powered on, the indicator on the both side will light, and the left and right telescopic arms will automatically open after 5 seconds to wait for the mobile phone to be placed; if the product does not turn on red after power on (not turn on, or flash) All indicate that there is a problem with the product, please stop using it and return it to the seller for processing.
- 3.** In order to ensure proper charging efficiency and stability, adjust the bottom holder of the device so that the phone is aligned as close to the center of the charging surface of the stand as possible when it is inserted. Best distance for wireless charging is up to 8 mm. Charging energy cannot penetrate metal, so avoid using metal or excessively thick (more than 3 mm) mobile phone covers. This is the only way to ensure fast wireless charging of mobile phones.
- 4.** After inserting the phone, the left and right clamping (locking) arms automatically clamp the phone. If the phone supports the Qi wireless charging protocol, the product will simultaneously initiate wireless charging and the indicator light will flash slowly as the product initiates this wireless charging; if the phone does not support wireless charging, the indicator light will flash rapidly for 5 seconds and then the indicator light goes off. The maximum charging power of this product is 15 W. Charging efficiency varies depending on the charging environment and the type of mobile phone.

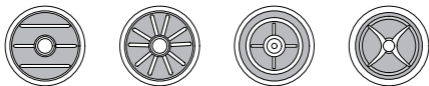
5. There are two ways to remove a switched-on phone:

- (1) Press the side button to automatically open (remove) your phone. The locking handles remain open.
- (2) Pull phone down without pressing the button when you are in a hurry. The handles stay closed. After removing the phone, the indicator light is always on and the holder immediately displays the standby status. When it is powered off: Pull phone down directly. The left and right clamping arms keep close.

BRACKET FOR THE VENTILATION

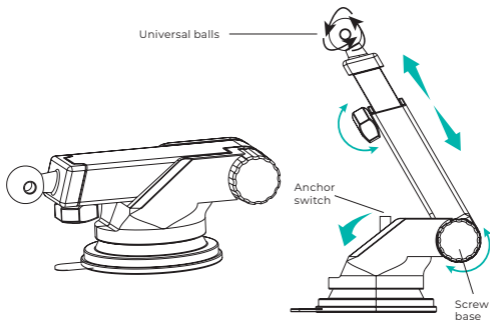


Adjust the air vent holding piece position and the rotatable components position according to the air vent blade position. Insert the blade, Choose the locking switch gears according to the blade thickness. The product is suitable for most air vents, including horizontal, vertical, and round air vent.



Please note: The above small round air outlets cannot be perfectly matched to the desired clip setting.

SUCTION BASE



1. Connect the suction cup base to the product, insert the universal ball into the nut first, then insert it into the bolt on the back of the product and tighten the nut clockwise.
2. Place the base on the dashboard or windshield, press the anchor switch to fix it.
3. Open the retractable arm, stretch and adjust the support arm.
4. Loosen the knob of the suction cup base counterclockwise, the support rod can be rotated at multiple angles to adjust the viewing angle.

Note: The suction cup mount is suitable for installation on the centre console and windscreen of the car.

PRECAUTIONS

1. Do not use the product in a car at temperatures above 60 degrees.
2. Do not use this product for extreme off-road driving.
3. When the phone is fully charged, the holder does not need to be plugged into the charging port (cigarette lighter).

GUARANTEE

The product is covered by the standard statutory warranty period.

Damage to the surface of the products caused by the user is not included in this warranty.



Thank you for your purchase.
In case of need, please contact us at:

Manufacturer/Importer

MISURA Store s.r.o.,
ID: CZ264 03 714
www.misura.shop
info@misura.shop



We are not liable for any typographical errors.